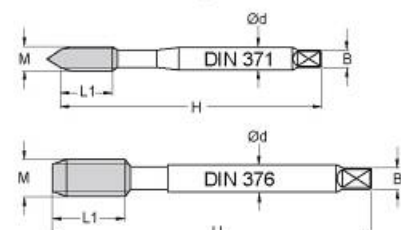


МЕТЧИЦИ МАШИНИ С ИЗНОСОУСТОЙЧИВО ПОКРИТИЕ ТТ ОТ МАТЕРИАЛ РМЗ

SAU-MSU020071STN M, SAU-MSU020076STN M

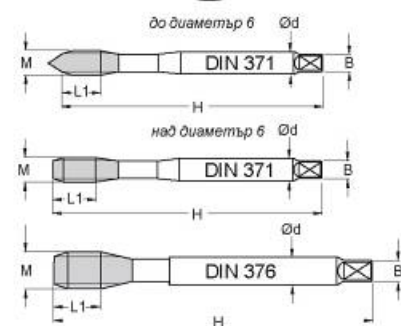
M mm	P mm	Ød mm	L ₁ mm	H mm	B mm	цена лв.
DIN 371						
M3	0.5	3.5	10	56	2.7	
M4	0.7	4.5	13	63	3.4	
M5	0.8	6	13	70	4.9	
M6	1	6	16	80	4.9	
M8	1.25	8	18	90	6.2	
M10	1.5	10	20	100	8	
DIN 376						
M12	1.75	9	25	110	7	
M14	2	11	28	110	9	
M16	2	12	28	110	9	
M18	2.5	14	33	125	11	
M20	2.5	16	33	140	12	



M mm	P mm	Ød mm	L ₁ mm	H mm	B mm	цена лв.
M22	2.5	18	33	140	14.5	
M24	3	18	39	160	14.5	

SAU-MSU150071STN M, SAU-MSU150076STN M

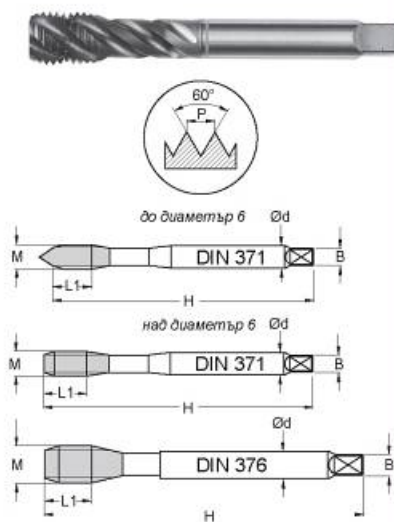
M mm	P mm	Ød mm	L ₁ mm	H mm	B mm	цена лв.
DIN 371						
M3	0.5	3.5	5	56	2.7	
M4	0.7	4.5	7	63	3.4	
M5	0.8	6	8	70	4.9	
M6	1	6	10	80	4.9	
M8	1.25	8	13	90	6.2	
M10	1.5	10	15	100	8	
DIN 376						
M12	1.75	9	18	110	7	
M14	2	11	20	110	9	
M16	2	12	20	110	9	
M18	2.5	14	25	125	11	
M20	2.5	16	25	140	12	
M22	2.5	18	25	140	14.5	
M24	3	18	30	160	14.5	



M mm	P mm	Ød mm	L ₁ mm	H mm	B mm	цена лв.
M27	3	20	30	160	16	
M30	3.5	22	35	180	18	

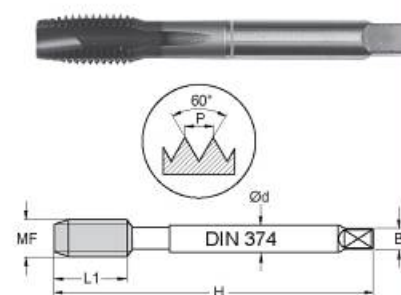
SAU-MSU150071STNW M, SAU-MSU150076STNW M - с вътрешно охлаждане

M mm	P mm	Ød mm	L ₁ mm	H mm	B mm	цена лв.
DIN 371						
M6	1	6	10	80	4.9	
M8	1.25	8	13	90	6.2	
M10	1.5	10	15	100	8	
DIN 376						
M12	1.75	9	18	110	7	
M14	2	11	20	110	9	
M16	2	12	20	110	9	
M18	2.5	14	25	125	11	
M20	2.5	16	25	140	12	
M22	2.5	18	25	140	14.5	
M24	3	18	30	160	14.5	
M27	3	20	30	160	16	
M30	3.5	22	35	180	18	



SAU-MSU020174STN MF

код	MF mm	P mm	Ød mm	L ₁ mm	H mm	B mm	цена лв.
DIN 374							
MF8X1	8	1	6	18	90	4.9	
MF10X1	10	1	7	15	90	5.5	
MF10X1.25	10	1.25	7	20	100	5.5	
MF12X1.25	12	1.25	9	22	100	7	
MF12X1.5	12	1.5	9	22	100	7	
MF14X1.5	14	1.5	11	22	100	9	
MF16X1.5	16	1.5	12	22	100	9	
MF18X1.5	18	1.5	14	25	110	11	
MF20X1.5	20	1.5	16	25	125	12	



код	MF mm	P mm	Ød mm	L ₁ mm	H mm	B mm	цена лв.
MF22X1.5	22	1.5	18	25	125	14.5	
MF24X1.5	24	1.5	18	25	140	14.5	

SAU-MSU150174STN MF

код	MF mm	P mm	Ød mm	L ₁ mm	H mm	B mm	цена лв.
DIN 374							
MF8X1	8	1	6	13	90	4.9	
MF10X1	10	1	7	15	90	5.5	
MF10X1.25	10	1.25	7	15	100	5.5	
MF12X1	12	1	9	13	100	7	
MF12X1.25	12	1.25	9	13	100	7	
MF12X1.5	12	1.5	9	13	100	7	
MF14X1.5	14	1.5	11	15	100	9	
MF16X1.5	16	1.5	12	15	100	9	
MF18X1.5	18	1.5	14	17	110	11	
MF20X1.5	20	1.5	16	17	125	12	



код	MF mm	P mm	Ød mm	L ₁ mm	H mm	B mm	цена лв.
MF22X1.5	22	1.5	18	18	125	14.5	
MF24X1.5	24	1.5	18	20	140	14.5	

метчици машинни с износостойчиво покритие TT от материал PM3

SAU-MSU150174STNW MF - с вътрешно охлаждане

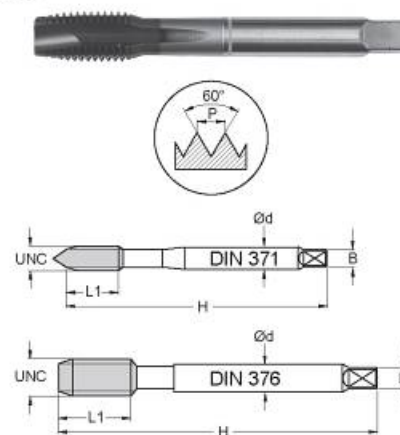
код	MF mm	P mm	Ød mm	L ₁ mm	H mm	B mm	цена лв.
DIN 374							
MF8X1	8	1	6	13	90	4.9	
MF10X1	10	1	7	15	90	5.5	
MF10X1.25	10	1.25	7	15	100	5.5	
MF12X1	12	1	9	13	100	7	
MF12X1.25	12	1.25	9	13	100	7	
MF12X1.5	12	1.5	9	13	100	7	
MF14X1.5	14	1.5	11	15	100	9	
MF16X1.5	16	1.5	12	15	100	9	
MF18X1.5	18	1.5	14	17	110	11	
MF20X1.5	20	1.5	16	17	125	12	



код	MF mm	P mm	Ød mm	L ₁ mm	H mm	B mm	цена лв.
MF22X1.5	22	1.5	18	18	125	14.5	
MF24X1.5	24	1.5	18	20	140	14.5	

SAU-MSU020371STN UNC, SAU-MSU020376STN UNC

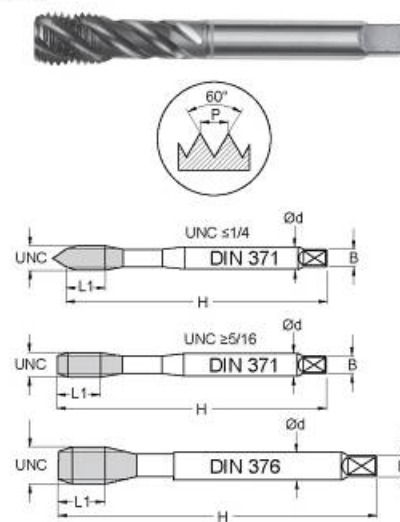
код	UNC (")	P tpi	Ød mm	L ₁ mm	H mm	B mm	цена лв.
DIN 371							
UNC 4-40	4	40	3.5	10	56	2.7	
UNC 5-40	5	40	3.5	10	56	2.7	
UNC 6-32	6	32	4	11	56	3	
UNC 8-32	8	32	4.5	13	63	3.4	
UNC 10-24	10	24	6	13	70	4.9	
UNC 1/4-20	1/4	20	7	16	80	5.5	
UNC 5/16-18	5/16	18	8	18	90	6.2	
UNC 3/8-16	3/8	16	10	20	100	8	
DIN 376							
UNC 7/16-14	7/16	14	8	20	100	6.2	
UNC 1/2-13	1/2	13	9	25	110	7	
UNC 9/16-12	9/16	12	11	28	110	9	
UNC 5/8-11	5/8	11	12	28	110	9	



код	UNC (")	P tpi	Ød mm	L ₁ mm	H mm	B mm	цена лв.
UNC 3/4-10	3/4	10	14	32	125	11	
UNC 7/8-9	7/8	9	18	32	140	14.5	
UNC 1"-8	1"	8	18	36	160	14.5	

SAU-MSU150371STN UNC, SAU-MSU150376STN UNC

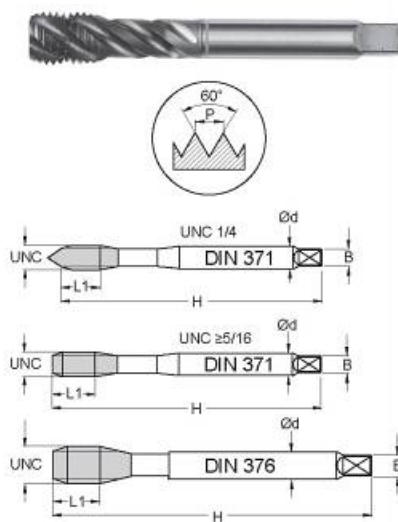
код	UNC (")	P tpi	Ød mm	L ₁ mm	H mm	B mm	цена лв.
DIN 371							
UNC 4-40	4	40	3.5	5	56	2.7	
UNC 5-40	5	40	3.5	5	56	2.7	
UNC 6-32	6	32	4	7	56	3	
UNC 8-32	8	32	4.5	7	63	3.4	
UNC 10-24	10	24	6	8	70	4.9	
UNC 1/4-20	1/4	20	7	10	80	5.5	
UNC 5/16-18	5/16	18	8	13	90	6.2	
UNC 3/8-16	3/8	16	10	15	100	8	
DIN 376							
UNC 7/16-14	7/16	14	8	15	100	6.2	
UNC 1/2-13	1/2	13	9	18	110	7	
UNC 9/16-12	9/16	12	11	20	110	9	
UNC 5/8-11	5/8	11	12	20	110	9	
UNC 3/4-10	3/4	10	14	25	125	11	



код	UNC (")	P tpi	Ød mm	L ₁ mm	H mm	B mm	цена лв.
UNC 7/8-9	7/8	9	18	25	140	14.5	
UNC 1"-8	1"	8	18	30	160	14.5	

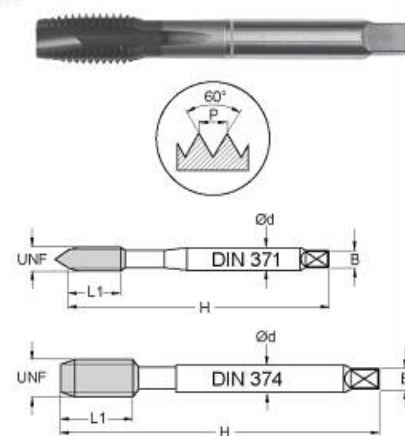
SAU-MSU150371STNW UNC, SAU-MSU150376STNW UNC - с вътрешно охлаждане

код	UNC (")	P tpi	Ød mm	L ₁ mm	H mm	B mm	цена лв.
DIN 371							
UNC 1/4-20	1/4	20	7	10	80	5.5	
UNC 5/16-18	5/16	18	8	13	90	6.2	
UNC 3/8-16	3/8	16	10	15	100	8	
DIN 376							
UNC 7/16-14	7/16	14	8	15	100	6.2	
UNC 1/2-13	1/2	13	9	18	110	7	
UNC 9/16-12	9/16	12	11	20	110	9	
UNC 5/8-11	5/8	11	12	20	110	9	
UNC 3/4-10	3/4	10	14	25	125	11	
UNC 7/8-9	7/8	9	18	25	140	14.5	
UNC 1"-8	1"	8	18	30	160	14.5	



SAU-MSU020471STN UNF, SAU-MSU020474STN UNF

код	UNF (")	P tpi	Ød mm	L ₁ mm	H mm	B mm	цена лв.
DIN 371							
UNF 4-48	4	48	3.5	10	56	2.7	
UNF 6-40	6	40	4	11	56	3	
UNF 8-36	8	36	4.5	13	63	3.4	
UNF 10-32	10	32	6	13	70	4.9	
UNF 1/4-28	1/4	28	7	16	80	5.5	
DIN 374							
UNF 5/16-24	5/16	24	6	18	90	4.9	
UNF 3/8-24	3/8	24	7	15	90	5.5	
UNF 7/16-20	7/16	20	8	20	100	6.2	
UNF 1/2-20	1/2	20	9	20	100	7	
UNF 9/16-18	9/16	18	11	22	100	9	
UNF 5/8-18	5/8	18	12	22	100	9	
UNF 3/4-16	3/4	16	14	25	110	11	

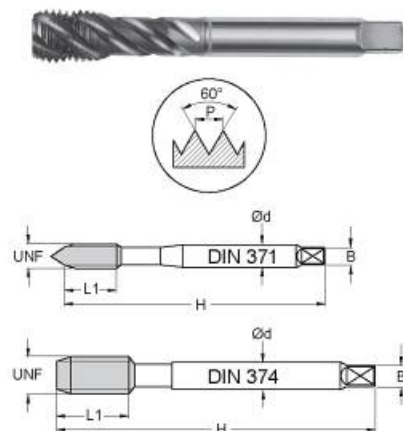


код	UNF (")	P tpi	Ød mm	L ₁ mm	H mm	B mm	цена лв.
UNF 7/8-14	7/8	14	18	25	125	14.5	
UNF 1"-12	1"	12	18	28	140	14.5	



SAU-MSU150471STN UNF, SAU-MSU150474STN UNF

код	UNF (")	P tpi	Ød mm	L ₁ mm	H mm	B mm	цена лв.
DIN 371							
UNF 4-48	4	48	3.5	5	56	2.7	
UNF 6-40	6	40	4	7	56	3	
UNF 8-36	8	36	4.5	7	63	3.4	
UNF 10-32	10	32	6	8	70	4.9	
UNF 1/4-28	1/4	28	7	10	80	5.5	
DIN 374							
UNF 5/16-24	5/16	24	6	13	90	4.9	
UNF 3/8-24	3/8	24	7	15	90	5.5	
UNF 7/16-20	7/16	20	8	15	100	6.2	
UNF 1/2-20	1/2	20	9	13	100	7	
UNF 9/16-18	9/16	18	11	15	100	9	
UNF 5/8-18	5/8	18	12	15	100	9	
UNF 3/4-16	3/4	16	14	17	110	11	



код	UNF (")	P tpi	Ød mm	L ₁ mm	H mm	B mm	цена лв.
UNF 7/8-14	7/8	14	18	18	125	14.5	
UNF 1"-12	1"	12	18	22	140	14.5	

SAU-MSU150471STNW UNF, SAU-MSU150474STNW UNF - с вътрешно охлаждане

код	UNF (")	P tpi	Ød mm	L ₁ mm	H mm	B mm	цена лв.
DIN 371							
UNF 1/4-28	1/4	28	7	10	80	5.5	
DIN 374							
UNF 5/16-24	5/16	24	6	13	90	4.9	
UNF 3/8-24	3/8	24	7	15	90	5.5	
UNF 7/16-20	7/16	20	8	15	100	6.2	
UNF 1/2-20	1/2	20	9	13	100	7	
UNF 9/16-18	9/16	18	11	15	100	9	
UNF 5/8-18	5/8	18	12	15	100	9	
UNF 3/4-16	3/4	16	14	17	110	11	
UNF 7/8-14	7/8	14	18	18	125	14.5	
UNF 1"-12	1"	12	18	22	140	14.5	



SAU-MSU020256STN G

код	G (")	P tpi	Ød mm	L ₁ mm	H mm	B mm	цена лв.
DIN 5156							
G1/8-28	1/8	28	7	15	90	5.5	
G1/4-19	1/4	19	11	22	100	9	
G3/8-19	3/8	19	12	22	100	9	
G1/2-14	1/2	14	16	25	125	12	
G3/4-14	3/4	14	20	25	140	16	



SAU-MSU150256STN G

код	G (")	P tpi	Ød mm	L ₁ mm	H mm	B mm	цена лв.
DIN 5156							
G1/8-28	1/8	28	7	15	90	5.5	
G1/4-19	1/4	19	11	15	100	9	
G3/8-19	3/8	19	12	15	100	9	
G1/2-14	1/2	14	16	18	125	12	
G3/4-14	3/4	14	20	20	140	16	
G1"-11	1	11	25	24	160	20	



SAU-MSU150256STNW G - с вътрешно охлаждане

код	G (")	P tpi	Ød mm	L ₁ mm	H mm	B mm	цена лв.
DIN 5156							
G1/8-28	1/8	28	7	15	90	5.5	
G1/4-19	1/4	19	11	15	100	9	
G3/8-19	3/8	19	12	15	100	9	
G1/2-14	1/2	14	16	18	125	12	
G3/4-14	3/4	14	20	20	140	16	
G1"-11	1	11	25	24	160	20	



метчици машинни с износостойчиво покритие TT от материал РМЗ

